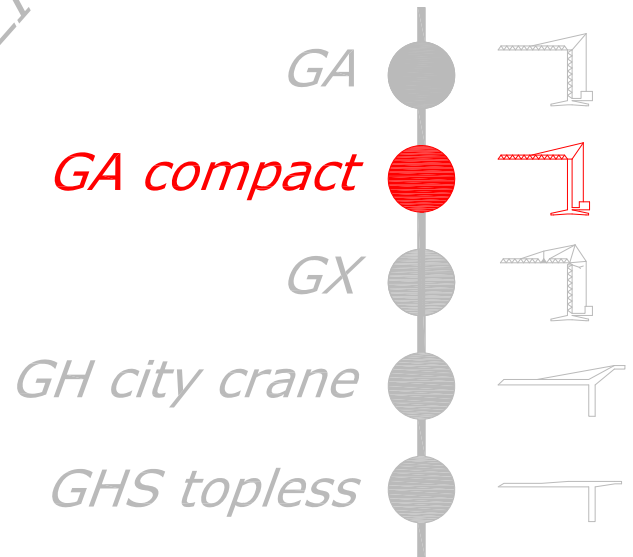


GRU A TORRE

GA 727

TeT/M

GRU AUTOMATICA CON
MONTAGGIO IDRAULICO



FB F.lli Butti s.r.l.

Via XXV Aprile, 58

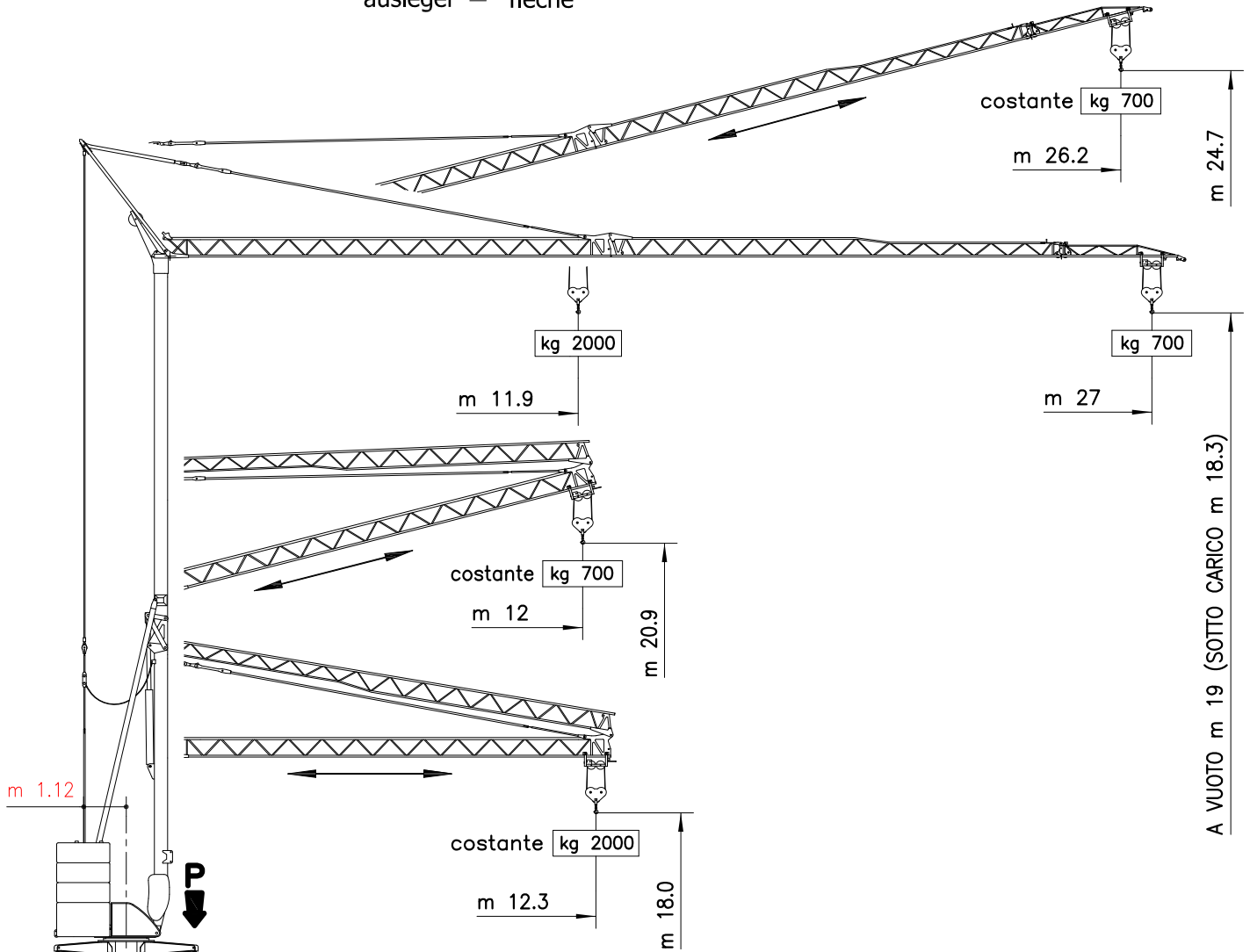
23868 Valmadrera (LC) - Italia

Tel. 0341.581108 - Fax 0341.200253

E-mail : fbgru@fbgru.it - <http://www.fbgru.it>



GA 727 braccio m 27 flecha – jib
ausleger – fleche



P	● kg 12100	■ kg 9000
----------	------------	-----------

- | | | | | |
|-------------------------|---------------------|------------------|------------------|----------------|
| ● <i>In servizio</i> | ● En servicio | ● In service | ● In betrieb | ● En service |
| ■ <i>Fuori servizio</i> | ■ Fuera de servicio | ■ Out of service | ■ Ausser betrieb | ■ Hors service |

kg 13650	kg 8410
----------	---------

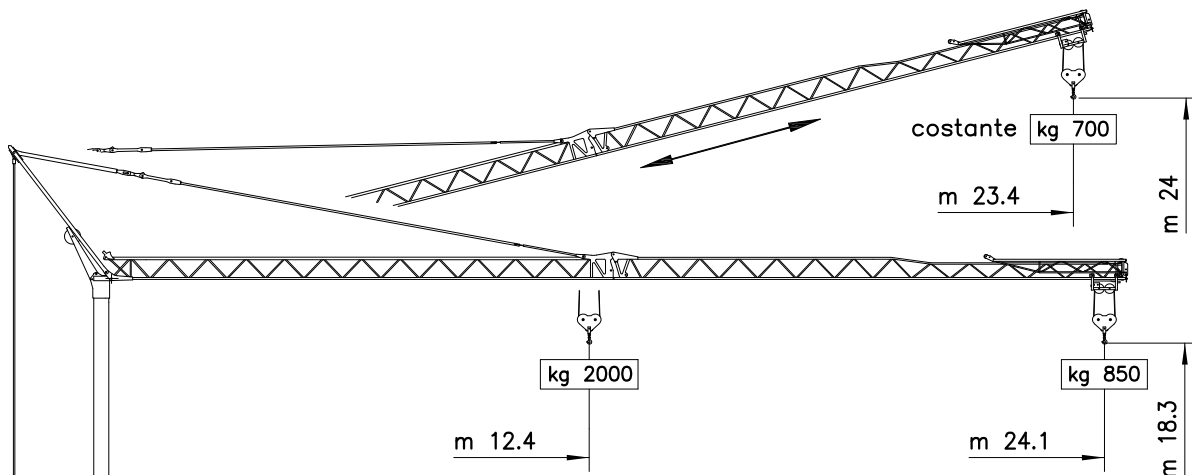
Peso con zavorra di montaggio


Peso de la grua con lastre de montaje
Crane weight with erection ballast
Gewicht ohne montage-ballast
Poids avec lest de montage


Peso senza zavorra di montaggio


Peso de construccion
Weight without erection ballast
Konstruktionsgewicht
Poids sans lest de montage


GA 727 braccio m 25 flecha – jib
ausleger – fleche



MOVIMENTO MOVIMIENTO MOVEMENT BEWEGUNG MOUVEMENT	ALIMENTAZIONE ALIMENTACION OPERATING VOLTAGE BETRIEBSSPANNUNG TENSION DE SERVICE	PRESTAZIONI FUNCIONAMIENTOS PERFORMANCES LEISTUNGEN EXÉCUTIONS	
---	---	---	---

SOLLEVAMENTO ELEVACION – HOISTING HEBEN – LEVAGE  INVERTER	GA 727 T/M 230 V 50 Hz	3 kW	1 ^a m/1' - kg	2 ^a m/1' - kg	3 ^a m/1' - kg	kW 9.2
			5 ↑↓	11 ↑↓	22 ↑ 23 ↓	
	2000	2000	700			
	6 kW	5 ↑↓	11 ↑↓	33 ↑↓		
		2000	2000	700		
	GA 727 T - GA 727 T/M 400 V 50 Hz	5 ↑↓	26 ↑ 27 ↓	38 ↑ 40 ↓		
2000	2000	1000				

CARRELLO CARRILLO – JIB TROLLEY LAUFKATZE – DISTRIBUTION  INVERTER	GA 727 T - GA 727 T/M 400 V 50 Hz	1 ^a m/1'	2 ^a m/1'	3 ^a m/1'	kW 2.2
		15	26	39	

ROTAZIONE ROTACION – SLEWING DREHEN – ORIENTATION  INVERTER	GA 727 T - GA 727 T/M 400 V 50 Hz	1 ^a g/1'	2 ^a g/1'	3 ^a g/1'	kW 2.2
		0 → 0.19	0.19 → 0.46	0.46 → 0.85	



Conforme alle direttive
CEE sul livello acustico
2000/14/CE

Conforme con las directivas
CEE sobre el nivel acustico


In compliance with the EEC
instructions on noise level

Gemäss EWG-Richtlinien für
den Schall-Leistungspegel


Conforme aux directives CEE
sur le niveau acoustique

CURVE DI CARICO CURVAS DE CARGAS – LOAD DIAGRAMS
LASTKURVEN – COURBES DE CHARGES

m	11.9	12.4	14	15	17	19	21	23	24.1	25	27
kg	2000	1910	1652	1522	1310	1145	1015	906	859	816	700
		2000	1707	1581	1360	1185	1048	938	850		

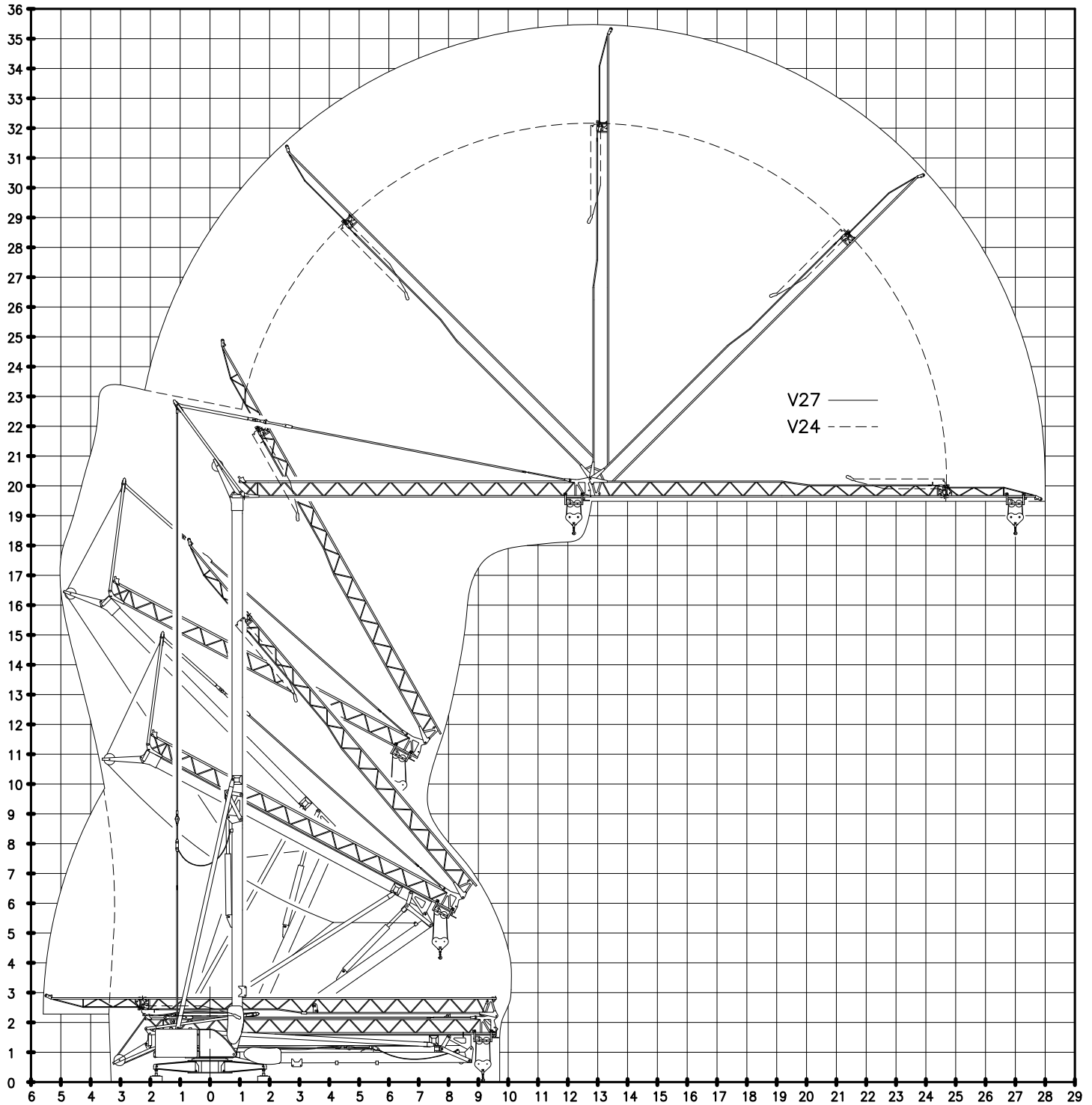
BRACCIO IMPENNATO FLECHA IZADA LUFFING JIB AUSLEGER IN STEILSTELLUNG FLÈCHE RELEVÉE 	Carrellino distributore Carrellino distribuidor – Traversing trolley Verfahrbare laufkatze – Chariot distributeur	kg 700
---	--	--------

POTENZA RICHIESTA POTENCIA-ELECTRICA NECESARIA – NECESSARY ELECTRIC POWER
KRAFTBEDARF – PUISSANCE ELECTRIQUE NECESSAIRE

 400 V - 50 Hz	SOLLEVAMENTO ELEVACION – HOISTING – HEBEN – LEVAGE		kg 2000
	3 kW	6 kW	12 kW

GA 727

MONTAGGIO MONTAJE — ERECTION
MONTAGE — MONTAGE



TRASPORTO TRANSPORTE — TRANSPORT
TRANSPORT — TRANSPORT

